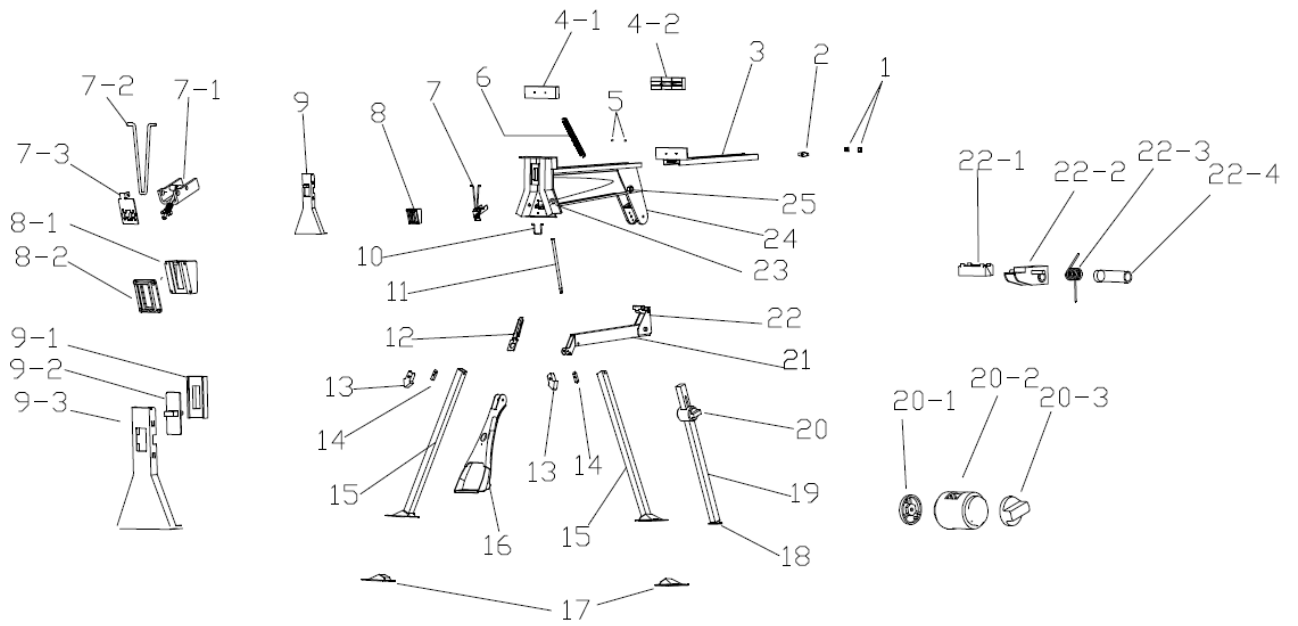


triton® SJA100E – SUPER JAWS



No.	Description	QTY
1	PLASTIC CAPS	2
2	LOCKING PLATE AND NUTS	1
3	TOP SLIDER	1
4.1	ANGLE PAD	1
4.2	SOFT JAWS	2
5	STEEL BALL	2
6	PULL SPRING	1
7.1	LOCK	1
7.2	LOCKING PULL RING	1
7.3	LOCKING SHEET	1
8.1	LOCKING PLASTIC PART 1	1
8.2	LOCKING PLASTIC PART 2	1
9.1	FRONT COVER PLASTIC PARTS	1
9.2	SWITCH	1
9.3	FRONT FACE	1
10	PULL RING	1
11	LOCKING BAR	1
12	PEDAL LOCK	1
13	FRONT LEG LOCK CAP	2
14	FRONT LEG LOCK	2
15	FRONT LEGS	2
16	PEDAL	1
17	FOOT PAD	2
18	PLASTIC CAP	1
19	BACK LEG	1
20	BACK LOCK PLASTIC SET	1
20.1	BACK LOCK PART 1	1
20.2	BACK LOCK PART 2	1
20.3	BACK LOCK PART 3	1
23	SCREW	1



No.	Description	QTY
24	MAIN BODY	1
25	SCREW	1